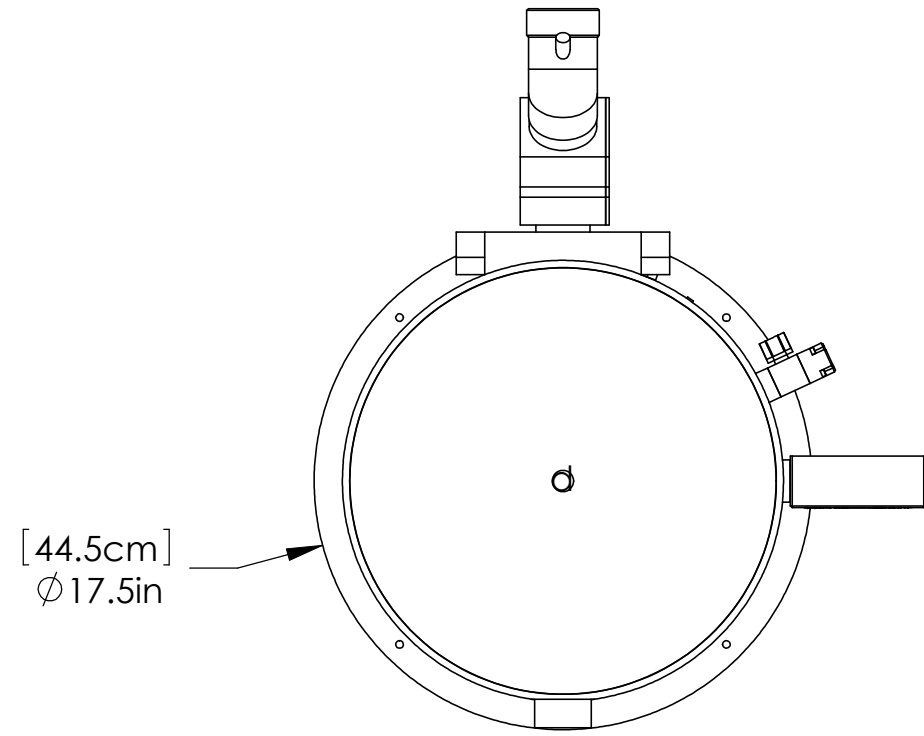
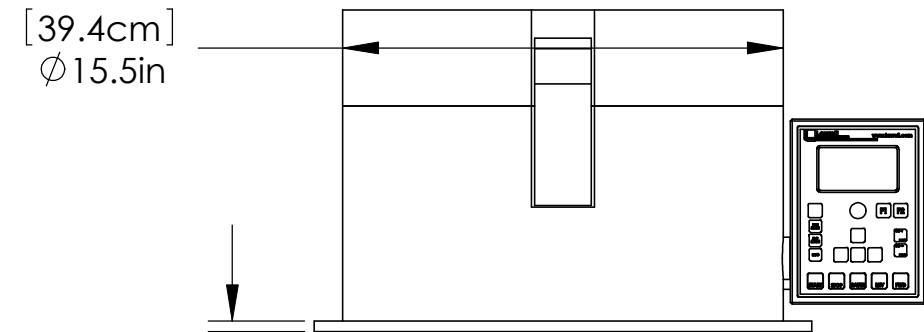


REVISIONS			
REV.	DESCRIPTION	BY	DATE
A	INITIAL RELEASE	JJ	10/4/2010

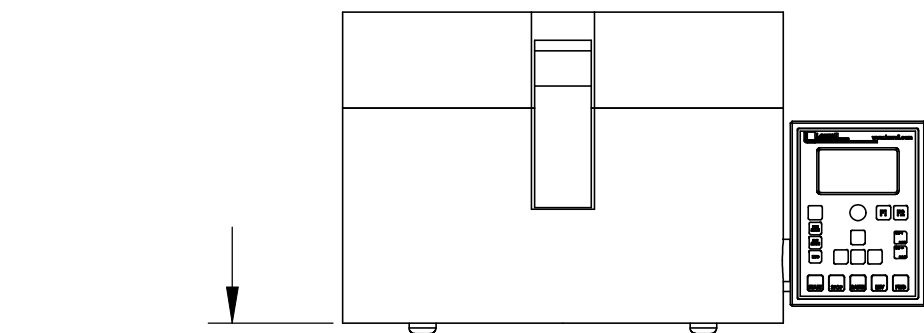
THIS OPTION TO BE USED WITH ALL 15 SERIES SPIN PROCESSORS EXCEPT INDECKS



OPTIONAL SEISMIC BASE MOUNTING



OPTIONAL SEISMIC BASE MOUNTING



STANDARD FEET MOUNTING

[2.5cm]  
1.0in  
MINIMUM  
CLEARANCE  
ALL AROUND

[0.7cm]  
Ø.265in  
(4) PLCS

[41.3cm]  
Ø16.3in  
BOLT CIRCLE

**PROPRIETARY AND CONFIDENTIAL**  
THE INFORMATION CONTAINED IN THIS DRAWING IS THE SOLE PROPERTY OF LAURELL TECHNOLOGIES. ANY REPRODUCTION IN PART OR AS A WHOLE WITHOUT THE WRITTEN PERMISSION OF LAURELL TECHNOLOGIES IS PROHIBITED.

UNLESS OTHERWISE SPECIFIED:		NAME	DATE		
DIMENSIONS ARE IN INCHES		DRAWN	JJ		<b>TITLE:</b> <b>OPTION DIMENSIONAL DRAWING, 15 SEISMIC BASE</b>
TOLERANCES:		CHECKED			
FRACTIONAL ±.015		ENG APPR.			
ANGULAR: MACH ± 1/2°		MFG APPR.			
TWO PLACE DECIMAL ±.01		Q.A.		<b>SIZE</b> DWG. NO. <b>REV</b> <b>B</b> <b>10077599</b> <b>A</b>	
THREE PLACE DECIMAL ±.005		COMMENTS:			
INTERPRET GEOMETRIC TOLERANCING PER:		ALL PARTS MUST BE CLEAN AND FREE OF BURRS. BREAK ALL SHARP EDGES, .015" RADIUS MAX.			
MATERIAL		SCALE: 1:8		WEIGHT:	
FINISH		SHEET 1 OF 1			
NEXT ASSY	USED ON	DO NOT SCALE DRAWING			

8 7 6 5 4 3 2 1

D

D

C

C

B

B

A

A

8 7 6 5 4 3 2 1