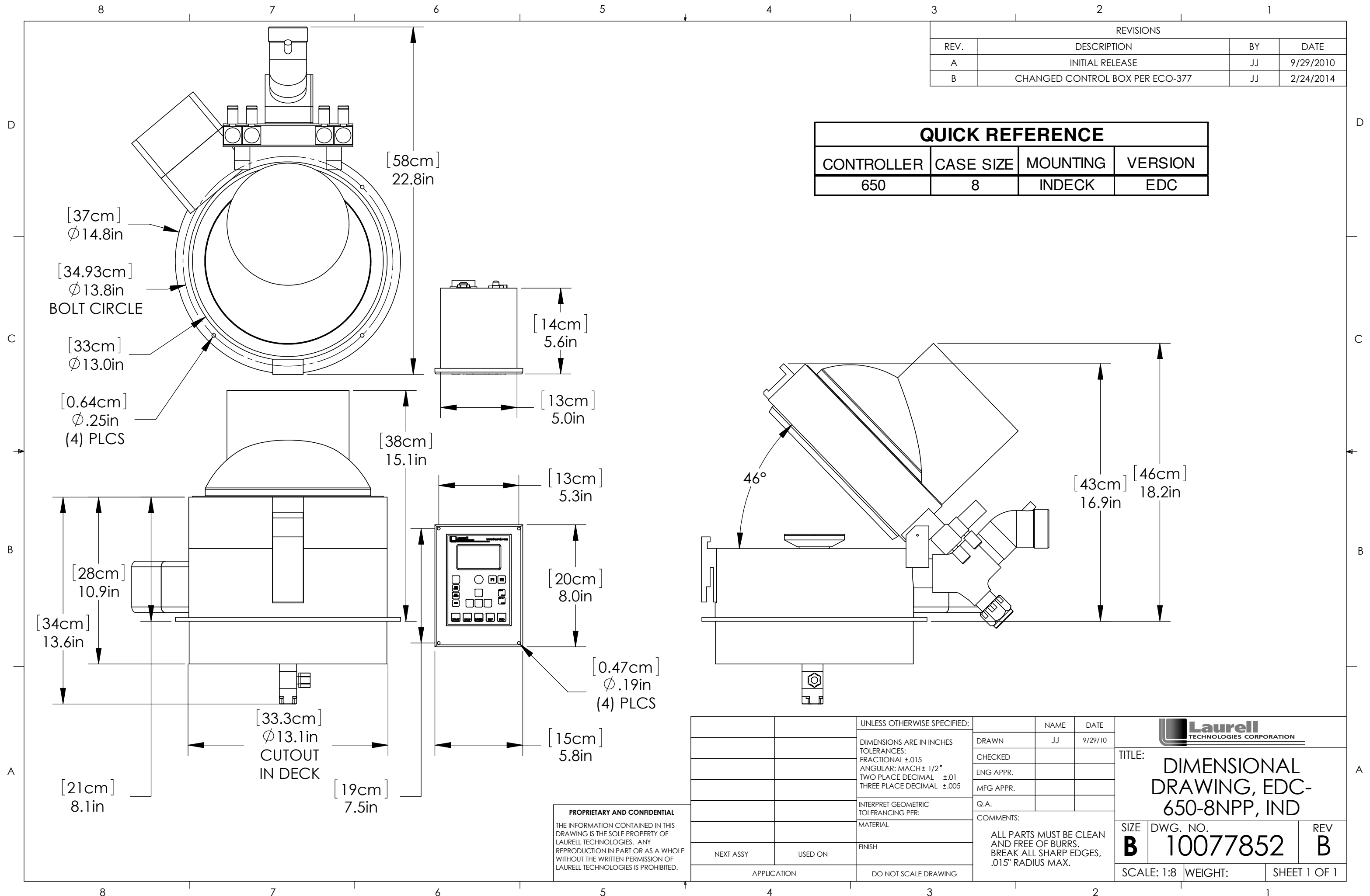


REVISIONS			
REV.	DESCRIPTION	BY	DATE
A	INITIAL RELEASE	JJ	9/29/2010
B	CHANGED CONTROL BOX PER ECO-377	JJ	2/24/2014

QUICK REFERENCE			
CONTROLLER	CASE SIZE	MOUNTING	VERSION
650	8	INDECK	EDC



**PROPRIETARY AND CONFIDENTIAL**  
 THE INFORMATION CONTAINED IN THIS DRAWING IS THE SOLE PROPERTY OF LAURELL TECHNOLOGIES. ANY REPRODUCTION IN PART OR AS A WHOLE WITHOUT THE WRITTEN PERMISSION OF LAURELL TECHNOLOGIES IS PROHIBITED.

UNLESS OTHERWISE SPECIFIED:		NAME	DATE		
DIMENSIONS ARE IN INCHES		DRAWN	JJ		<b>TITLE:</b> DIMENSIONAL DRAWING, EDC-650-8NPP, IND
TOLERANCES:		CHECKED			
FRACTIONAL: $\pm$ .015		ENG APPR.			
ANGULAR: MACH $\pm$ 1/2°		MFG APPR.			
TWO PLACE DECIMAL: $\pm$ .01		Q.A.			
THREE PLACE DECIMAL: $\pm$ .005		COMMENTS:		ALL PARTS MUST BE CLEAN AND FREE OF BURRS. BREAK ALL SHARP EDGES, .015" RADIUS MAX.	
INTERPRET GEOMETRIC TOLERANCING PER:		SIZE			
MATERIAL		DWG. NO.			
FINISH		REV		SCALE: 1:8 WEIGHT: SHEET 1 OF 1	
DO NOT SCALE DRAWING		10077852 B			
NEXT ASSY	USED ON				
APPLICATION					