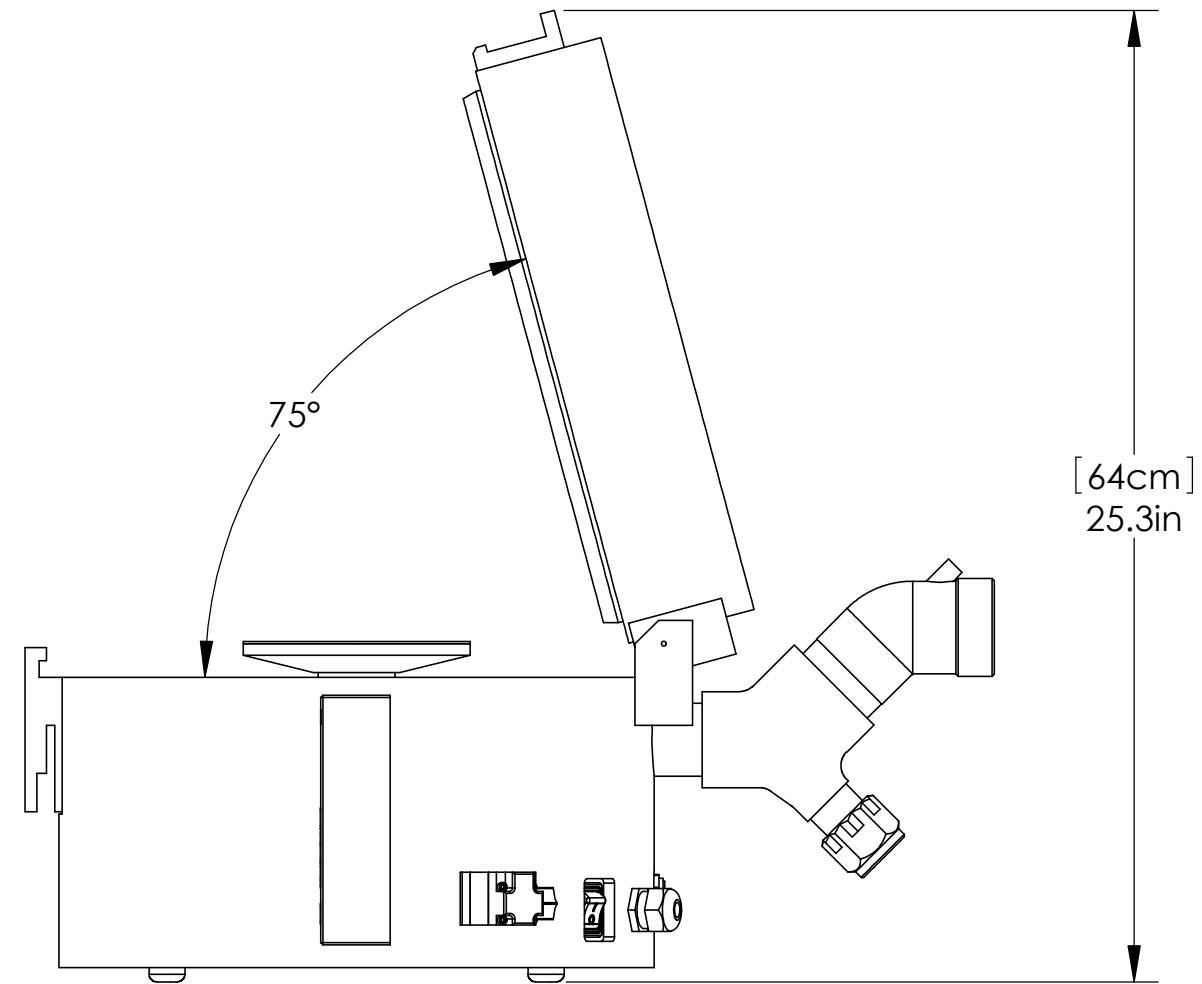
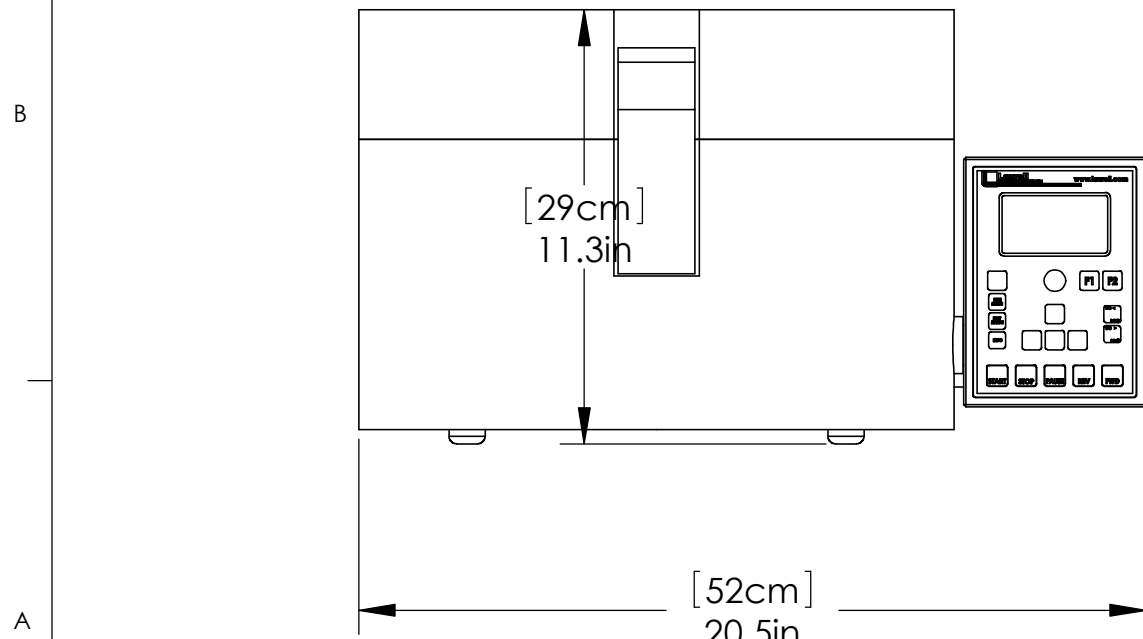
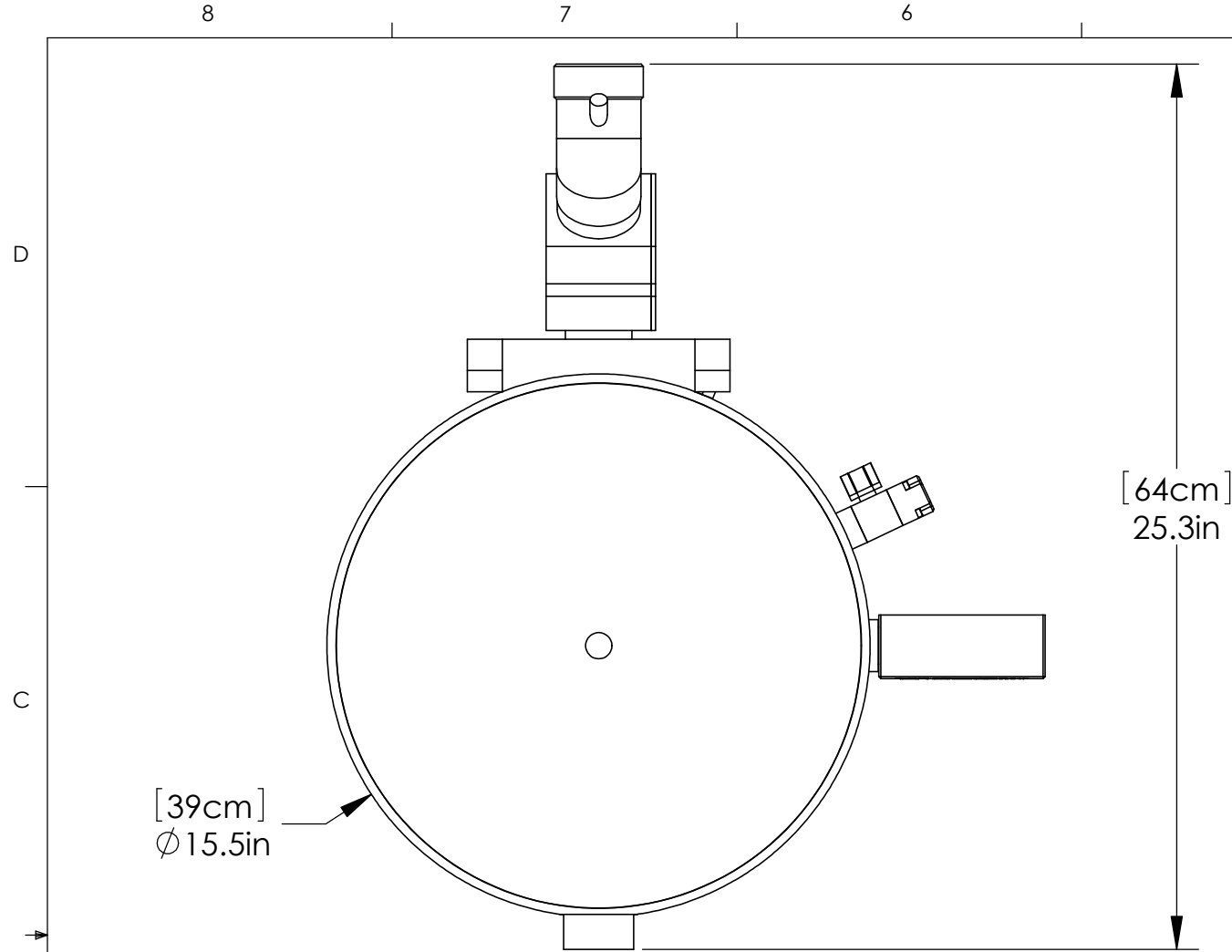


REVISIONS			
REV.	DESCRIPTION	BY	DATE
A	INITIAL RELEASE	JJ	9/29/2010

QUICK REFERENCE			
CONTROLLER	CASE SIZE	MOUNTING	VERSION
650	15	DESKTOP	



PROPRIETARY AND CONFIDENTIAL
 THE INFORMATION CONTAINED IN THIS DRAWING IS THE SOLE PROPERTY OF LAURELL TECHNOLOGIES. ANY REPRODUCTION IN PART OR AS A WHOLE WITHOUT THE WRITTEN PERMISSION OF LAURELL TECHNOLOGIES IS PROHIBITED.

		UNLESS OTHERWISE SPECIFIED:	NAME	DATE		
		DIMENSIONS ARE IN INCHES	DRAWN	JJ		9/29/10
		TOLERANCES:	CHECKED			
		FRACTIONAL $\pm .015$	ENG APPR.			
		ANGULAR: MACH $\pm 1/2^\circ$	MFG APPR.			
		TWO PLACE DECIMAL $\pm .01$	Q.A.			
		THREE PLACE DECIMAL $\pm .005$	COMMENTS:	ALL PARTS MUST BE CLEAN AND FREE OF BURRS. BREAK ALL SHARP EDGES, .015" RADIUS MAX.		
		INTERPRET GEOMETRIC TOLERANCING PER:				
		MATERIAL				
NEXT ASSY	USED ON	FINISH				
APPLICATION		DO NOT SCALE DRAWING				
			TITLE: DIMENSIONAL DRAWING, WS-650-15NPP			
SIZE	DWG. NO.	REV				
B	10077501	A				
SCALE: 1:8	WEIGHT:	SHEET 1 OF 1				